



■ **Features:**

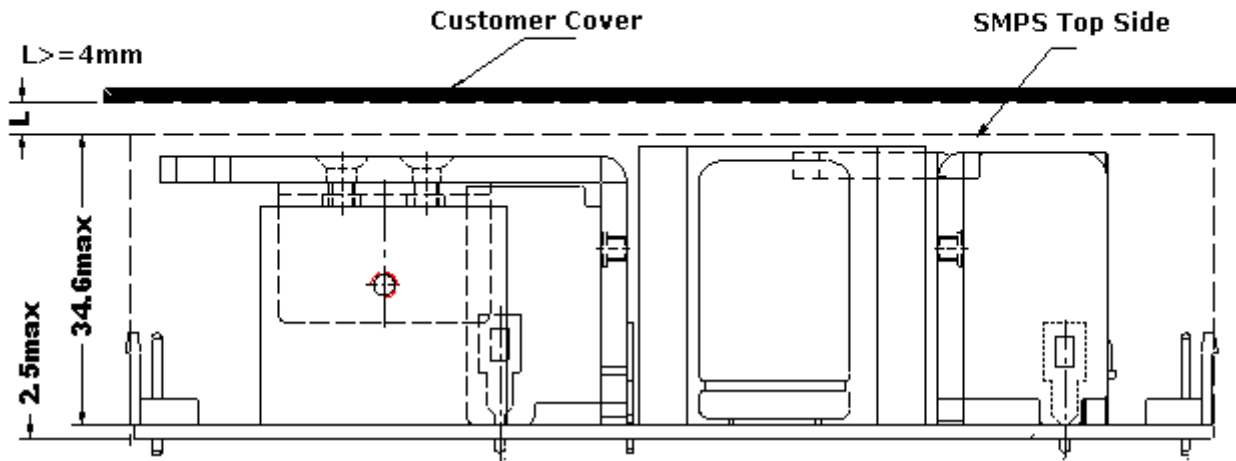
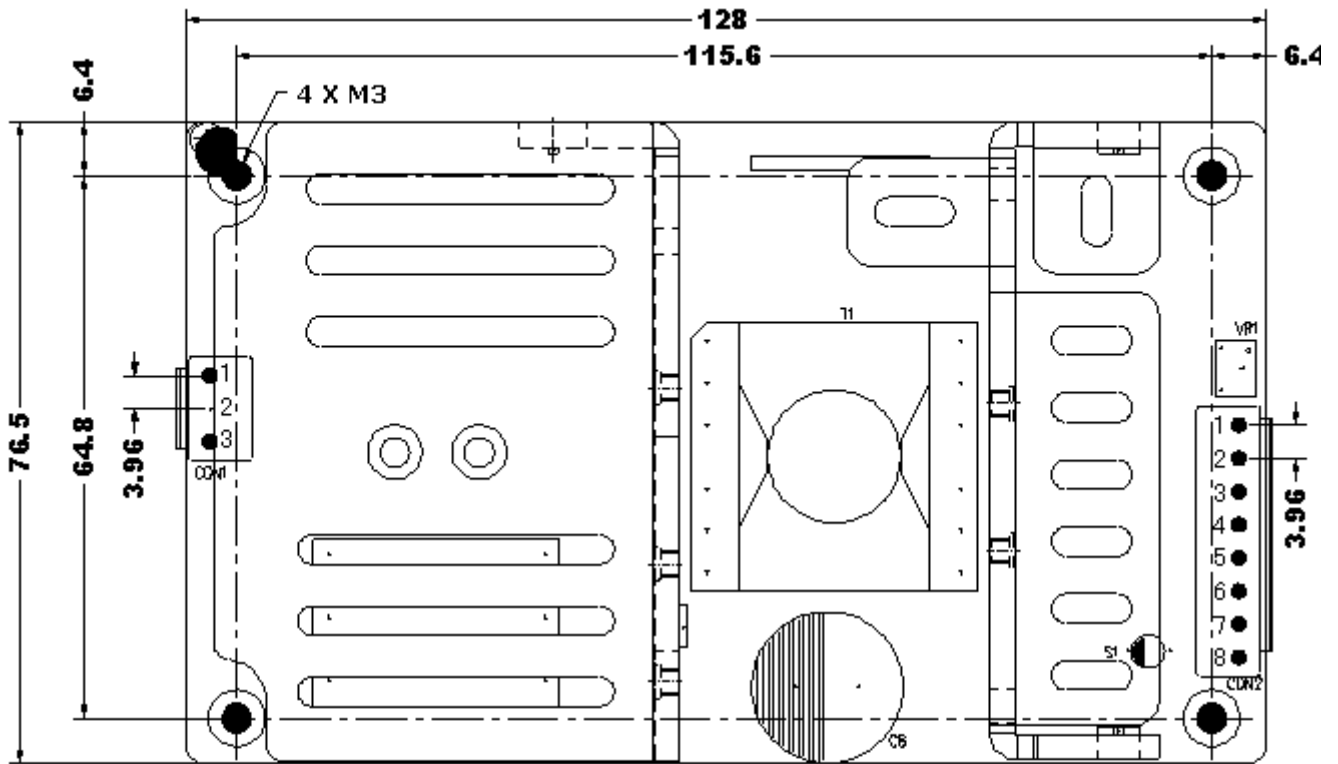
- Universal AC input/ Full range
- Built-in Active PFC function
- Withstand 300Vac surge input for 5 sec.
- High efficiency up to 90%(typ)
- Output protections: OLP/OVP/SCP/OPP
- Wide operating ambient temperature (-20°C ~70°C)
- All using 105°C long life electrolytic capacitors.
- Free air convection for 150W and 200W with 20.5CFM forced air
- 100% full load burn-in test
- 5"×3" compact size
- 3 years warranty

SPECIFICATION

MODEL		MFPSF-200-12	MFPSF-200-24	MFPSF-200-48
OUTPUT	DC Output	12V	24V	48V
	Rated Current	16.6A	8.4A	4.167A
	Current Range(convection)	0~12.5A	0~6.25A	0~3.13A
	Current Range(20.5CFM fan)	0~16.6A	0~8.4A	0~4.167A
	Ripple and Noise Note 2	100mVp-p	150 mVp-p	250 mVp-p
	Voltage ADJ. Range	±10% of rated output voltage		
	Voltage Accuracy	±1.0%		
	Line Regulation	±0.5%		
	Load Regulation	±1.0%		
	Set-up Time	≤2S (230VAC input, Full load)& ≤4S (115VAC input, Full load)		
	Hold up Time	≥16mS/150W 10mS/200W (115 / 230VAC IN AT FULL LOAD)		
	Temperature Coefficient	±0.03%/°C		
Overshootand Undershoot	<5.0%			
INPUT	Voltage Range	90Vac~264Vac,127Vdc~370Vdc		
	Frequency Range	47Hz~63Hz		
	Power Factor(Typical)	PF>0.98/115VAC PF>0.95/230VAC		
	Efficiency (Typical)	≥89%	≥89%	≥90%
	AC Current (max.)	<3A		
	Inrush Current (Typical)	<50A@230Vac <30A@115Vac Cold start		
	Leakage Current	≤3.5mA		
PROTECTION	Over Current	105%~150% of rated output current, hiccup mode, auto recovery		
	Over Power	105%~150% of rated output current, hiccup mode, auto recovery		
	Over Voltage	125%~150% of rated output voltage, hiccup mode, auto recovery		
	Short Circuit	Long-term, Auto recovery		
ENVIRONMENT	OperatingambTemp& Hum	-20°C ~70°C 20%~90%RH No condensing		
	Storage Temp. & Hum.	-40°C ~85°C; 10%~95%RH No condensing		
SAFETY & EMC Note 3	Safety Standards	UL60950-1; EN60950-1: 2006		
	Withstand Voltage	Primary-Secondary:3.0KVac; ≤10mA .Primary-PG:1.5KVac; ≤10mA .Secondary-PG:0.5KVDC; ≤10mA .		
	Isolation Resistance	100M ohms		
	EMI Conduction&Radiation	Compliance to EN55022,EN55024 ClassB		
	Harmonic Current	Compliance to EN61000-3-2,-3		
	EMS Immunity	Compliance to EN61000-4-2,3,4,5,6,8,11;EN55024,EN61000-6-2 heavy industry level		
OTHERS	MTBF (MIL-HDBK-217F)	More than 200,000Hrs (25 °C, Full load)		
	Dimension (L*W*H)	128×76.5×34.6mm (5"×3")		
	Packing	21PCS/CTN, 8.46KGS, 0.015CBM		
	Cooling method	Cooling by free air convection		
NOTE	1. All parameters NOT specially mentioned are measured at rated input, rated load and 25°C of ambient temperature. 2. Measured at 20MHz of bandwidth by using a 12" twisted pair-wire terminated with a 0.1 uF & 10uF parallel capacitor. 3. The SPS is considered a component which will be installed into final equipment. The equipment must be re-confirmed that it still meets EMC directives.			

■ Mechanical Specification

Unit: mm (Tolerance is ±1mm)

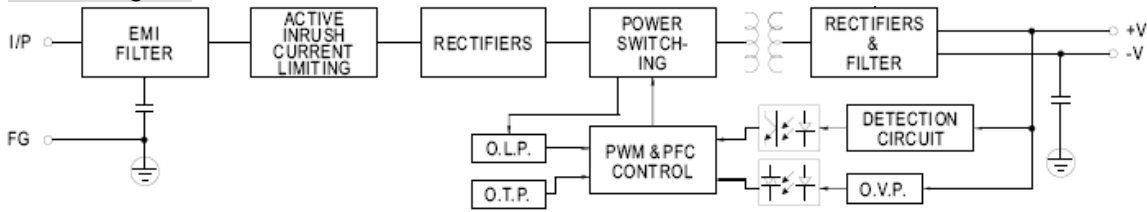


Pin Description:

INPUT CON1: Pin1=AC(L) Pin3=AC(N)
 OUTPUT CON2: Pin1-4= -V Pin5-8=+V

ITEM	Connectors	Mating Housing	Contacts
AC IN(CON1)	LANDWIN3961P0300T(Central Pin removed)	LANDWIN 3960S or JST VHR or Molex 51144	LANDWIN 3963T011R or JST SVH-21T-P1.1 Or Molex 50539
DC OUT(CON2)	LANDWIN 3961P0800T		

■ **Block Diagram**



■ **Derating Curve**

